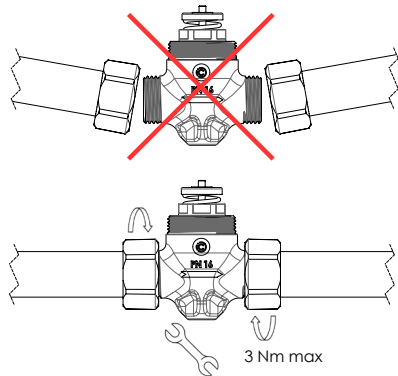
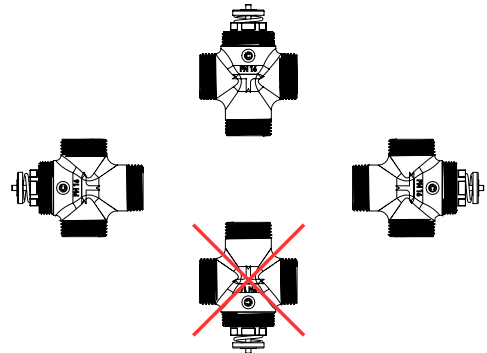


### MOUNTING INSTRUCTIONS

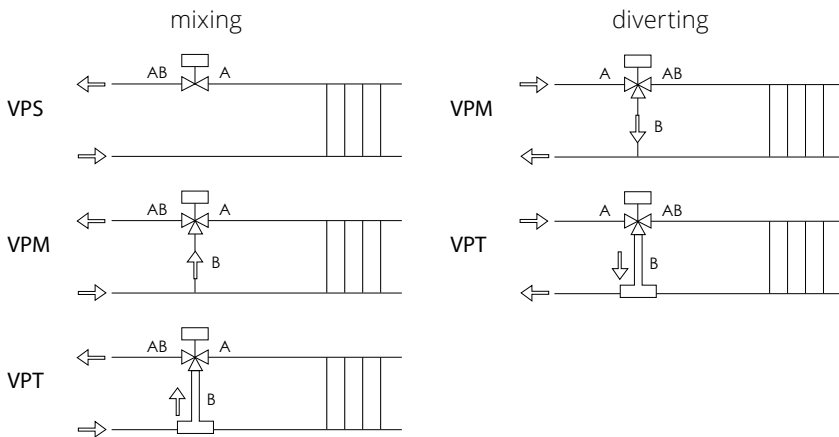
1



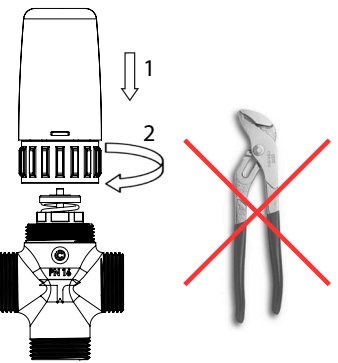
2



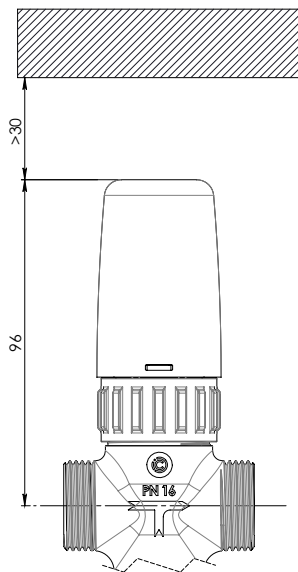
3



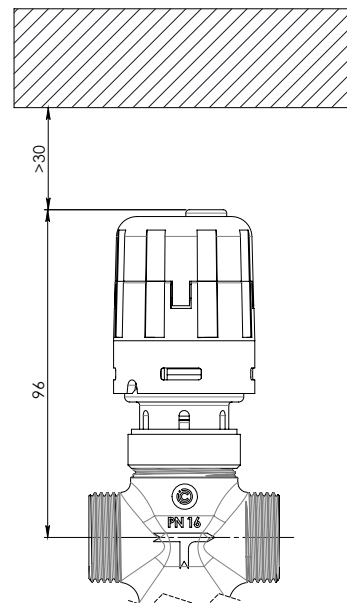
4



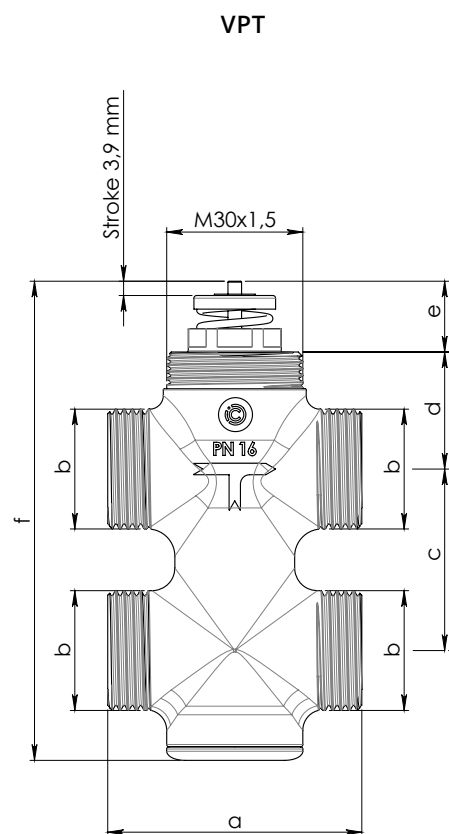
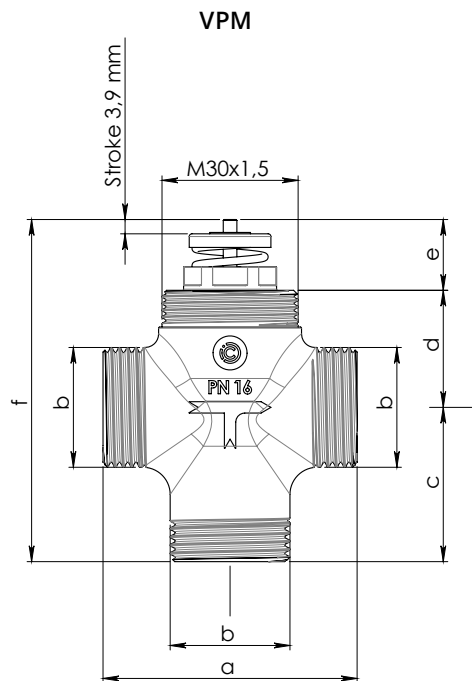
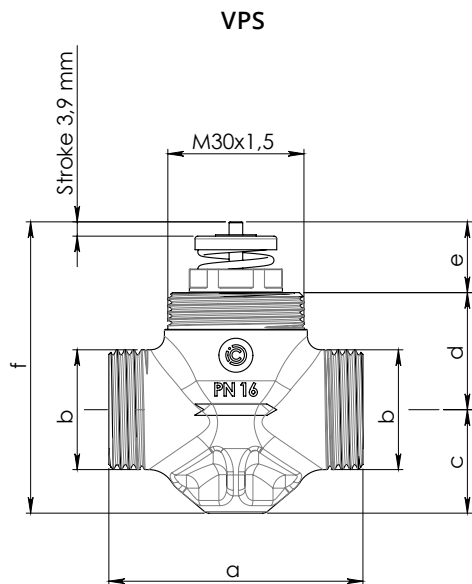
VPx + MVP



VPx + MVX52B



The performances stated in this sheet can be modified without any prior notice.



Model	a	b	c	d	e	f	Weight [g]
VPS16P	52	G1/2"	20	25,8	15,6	61,4	36
VPS25P	56	G 3/4"	22,8			64,2	42
VPM16P	52	G1/2"	25	25,8	15,6	66,4	38
VPM25P	56	G 3/4"	34			75,4	45
VPT16P	52	G1/2"	40	25,8	15,6	102,8	60
VPT25P	56	G 3/4"	40			105,6	67